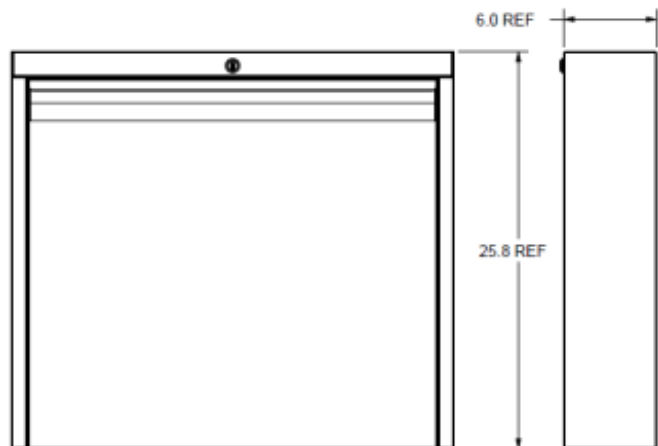
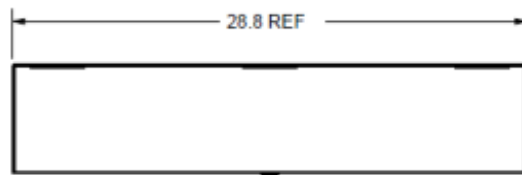
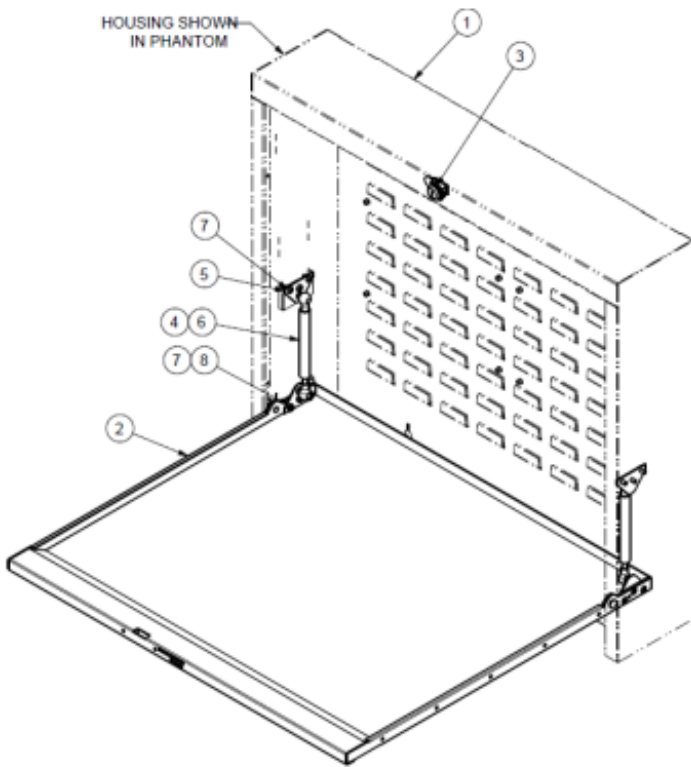




SPEC SHEET

Modular Medical Supply Storage

3006 Modular Storage System



- Dimensions: 28.8" W x 25.8" H x 6" D
- Steel Gauge: Housing - 14 ga. (.075) , Doors - 16 ga. (.060)
- Tabbed Back Panel for Adding Interior Storage Components
- Auto Self-Closing Door
- Powder Coated

RaspberryMed

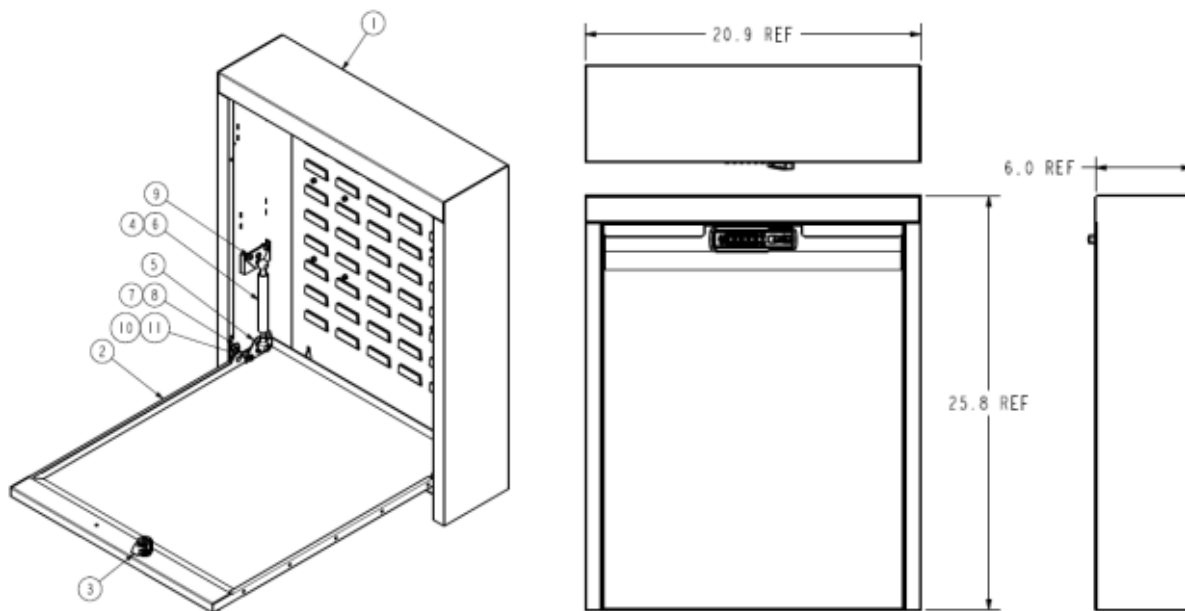
For more information email us at sales@raspberrymed.com
Toll-free 800-213-9704 | Telephone (616) 949-0080 | Fax (616) 949-8333



SPEC SHEET

Modular Medical Supply Storage

3006-21 Modular Storage System



Specifications:

- Dimensions: 21" w x 26" h x 6" d
- Weight: 39 lbs. (with bins)
- Housing Construction: 16 Gauge (.060) Steel, Dual Wall
- Back Consists of 54 Tabs, 2" w x .652" h, To Receive Custom Acrylic Storage Bins
- Door Construction: 16 Gauge (.060) Steel, Dual Side Flanges, Recessed Finger Pull
- Auto-Closing/Locking, With Aid of One (1) Gas Cylinder, Stays Down When Open And Closes With A Nudge
- Lock: CompX Regulator Programmable Keyless Access Lock
- Finish: Powder Coat / Grey
- Laminate: WilsonArt 7054-60 Wild Cherry Vertical Grade HPL
- Custom Bins: 1/8" Thick Clear Acrylic, 11" w x 3" h x 5-3/8" d, Open In Front, Qty 2/Unit

RaspberryMed

For more information email us at sales@raspberrymed.com
Toll-free 800-213-9704 | Telephone (616) 949-0080 | Fax (616) 949-8333