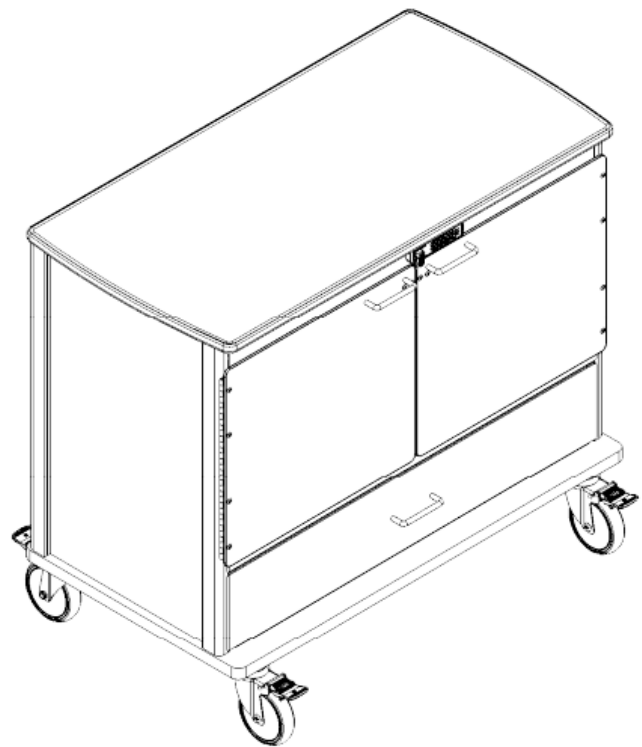
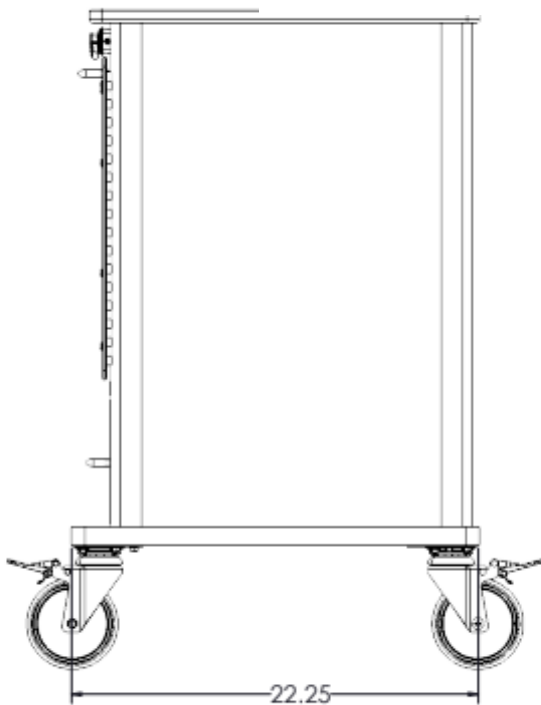
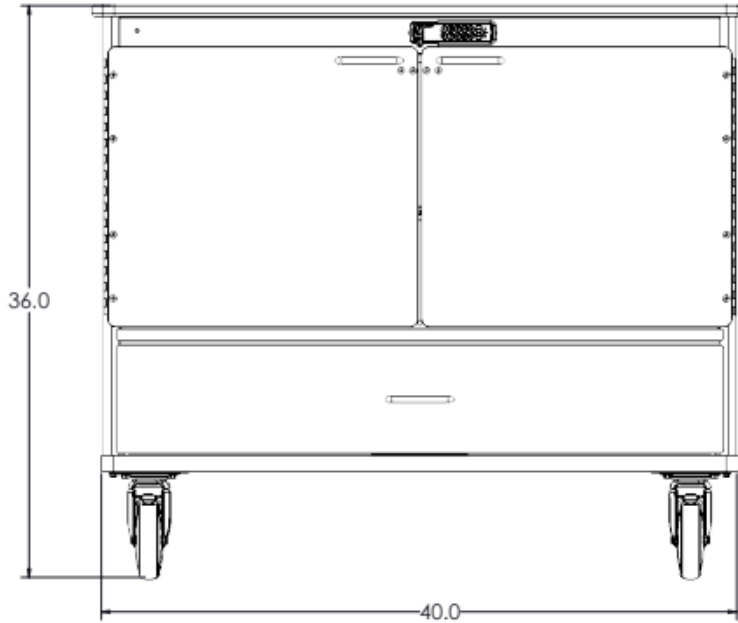




SPEC SHEET
Horizontal Dilator Storage Cart



RaspberryMed

For more information email us at sales@raspberrymed.com
Toll-free 800-213-9704 | Telephone (616) 949-0080 | Fax (616) 949-8333